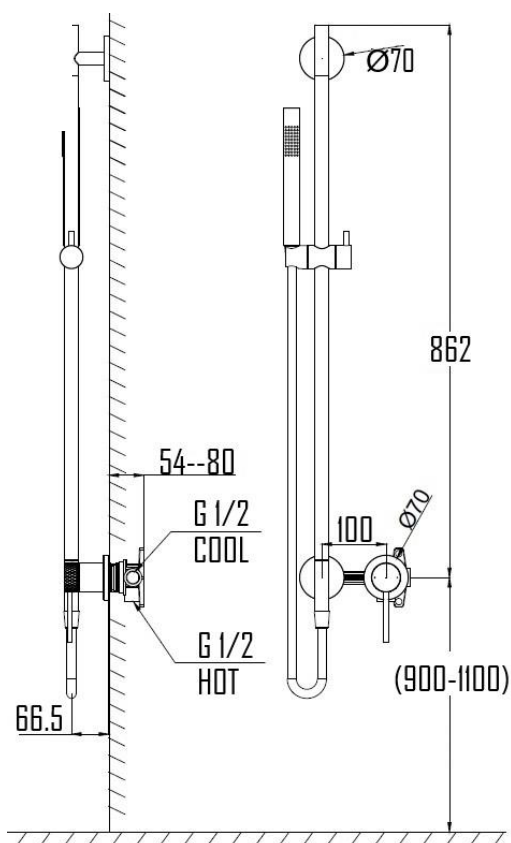
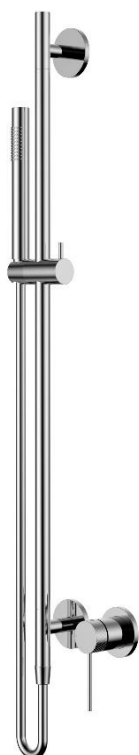




SLIDE RAIL KIT WITH INTEGRATED WALL INLET WITH HAND SHOWER

FARS-5020



Specifications

Brand	ÖLIND
Range	FARSTA
Product code	FARS-5020
Finish/Colour	MATTE BLACK, CHROME, GUNMETAL, BRUSHED GOLD, BRUSHED ROSE GOLD, BRUSHED NICKEL
Product type	SHOWER RAIL KIT
Material	BRASS
Configuration	1 TAP HOLE
Mounting Type	WALL MOUNTED

For more information, please visit our website: olind-design.com
Sweden: Dalkärrsvägen 6 14636 Tullinge Sweden