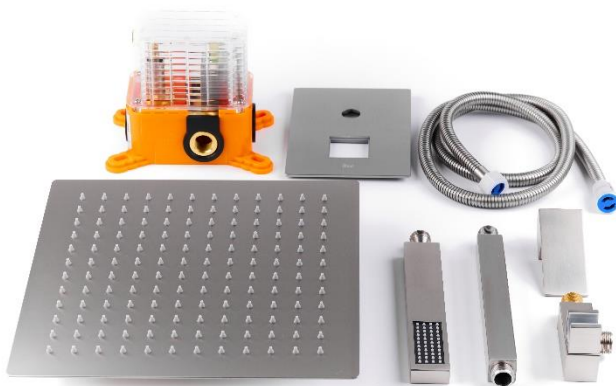


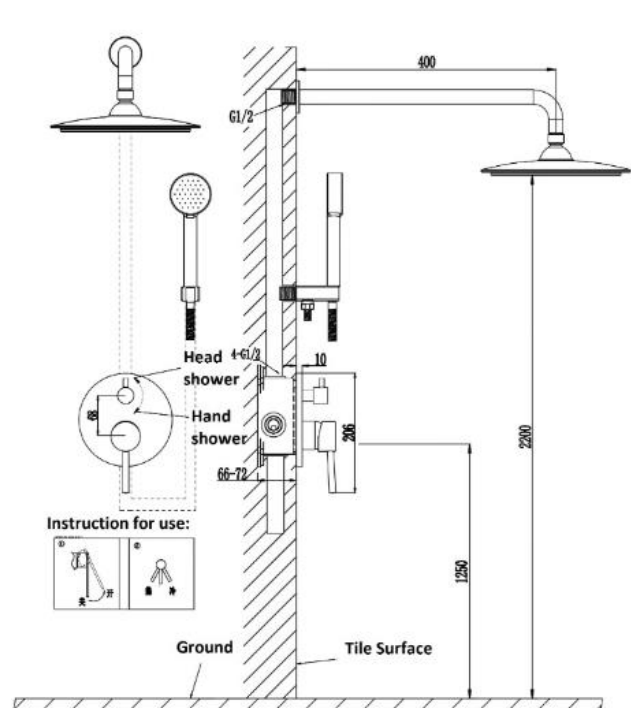


SHOWER SET 2 FUNCTIONS SHOWER SYSTEM 30*30CM SHOWER HEAD W/ HAND SHOWER



Specifications

Brand	ÖLIND
Range	SHOWER SET
Product code	2 FUNCTIONS
Product type	CONCEALED SHOWER SET
Material	BRASS
Configuration	CONCEALED
Mounting Type	WALL MOUNTED



The picture is for reference only. For height, you can install it according to your own needs

For more information, please visit our website: olind-design.com
Sweden: Dalkärsvägen 6 14636 Tullinge Sweden

Ölind Design

1. Please read the instructions before installation
2. Check the product after opening the package. The tools required for installation are not included. Please bring your own.
3. The instructions contain precautions for installation, please keep them in a safe place.
4. The dimensional drawings of the manual are for reference only, please refer to the actual product.

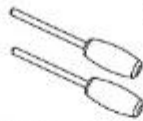
Recommended tool:



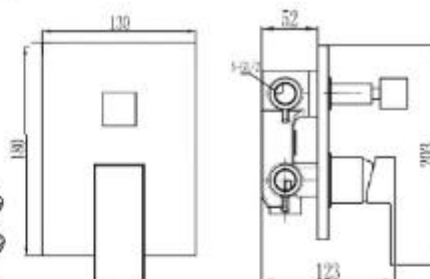
Sealing glue



hexagonal key



Slotted screwdriver
Phillips screwdriver

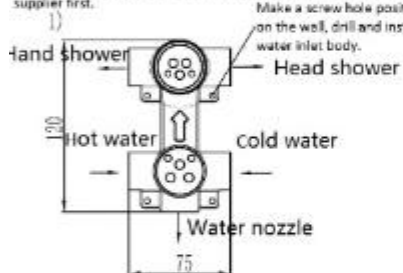


1. The debris at the joint must be removed before installation to avoid blockage or water leakage

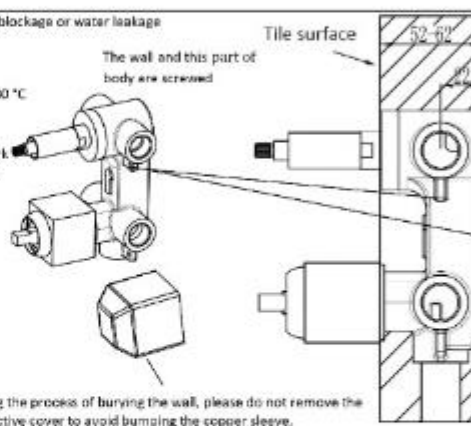
2. Connect the faucet inlet correctly as shown in the figure (pictured)

3. The maximum temperature of hot water should not be higher than 80 °C

4. If you need to use other connection methods, please contact the supplier first.



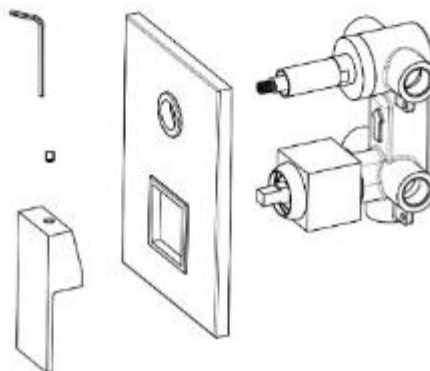
Make a screw hole position mark on the wall, drill and install the water inlet body.



During the process of burying the wall, please do not remove the protective cover to avoid bumping the copper sleeve.

- 2) After the main body is buried in the wall, install it in the order shown in picture below:

1. Remove the protective cover.
2. Cover the upper panel.
3. Install the handle.



For more information, please visit our website: olind-design.com
Sweden: Dalkärrsvägen 6 14636 Tullinge Sweden